

FALCON LIFTS A/S

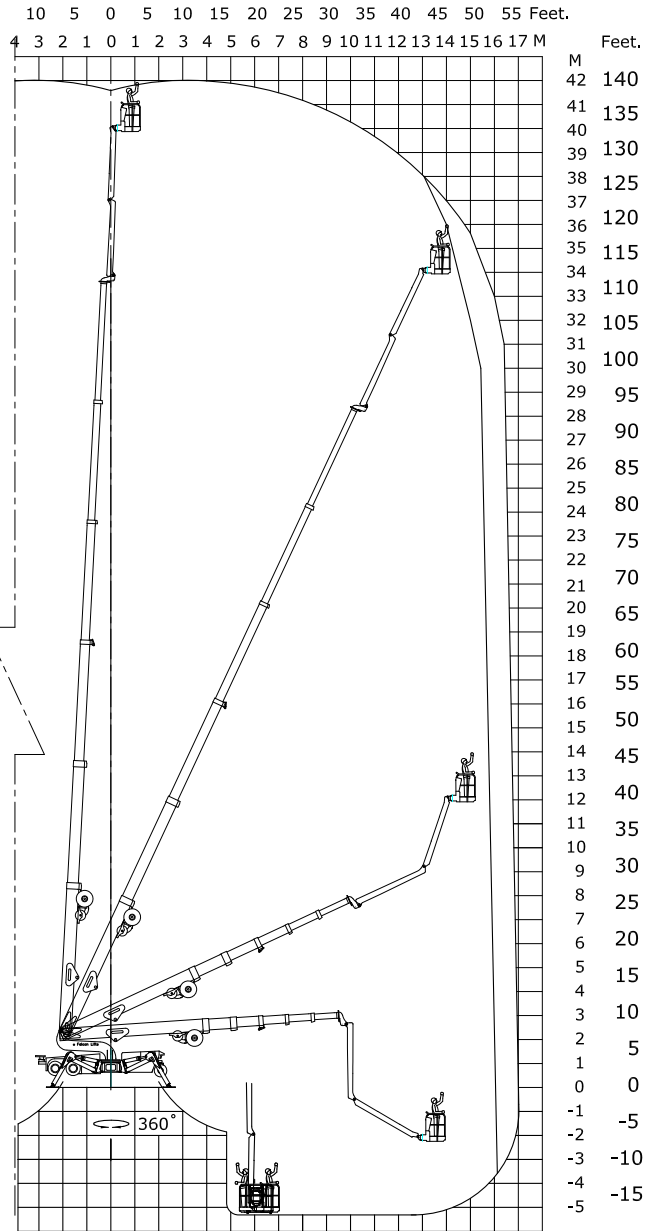
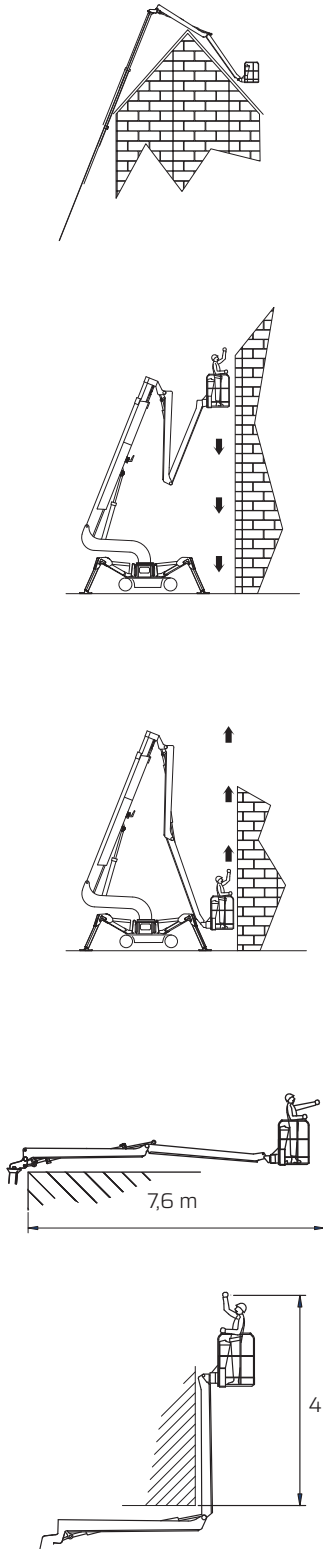
Tolderlundsvej 106
DK-5000 Odense C
Tel: +45 66 13 11 00

falconlifts.com



FALCON 420 *Wheel*

Reach diagram - Optimized position

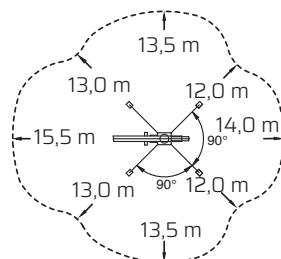


Reach with outriggers in different positions

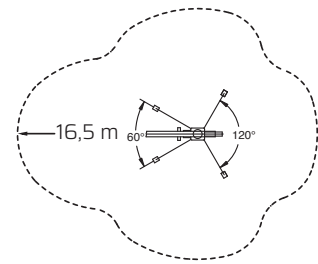
Standard

Measurements in meters

Optimized



Basket load = 200 kg

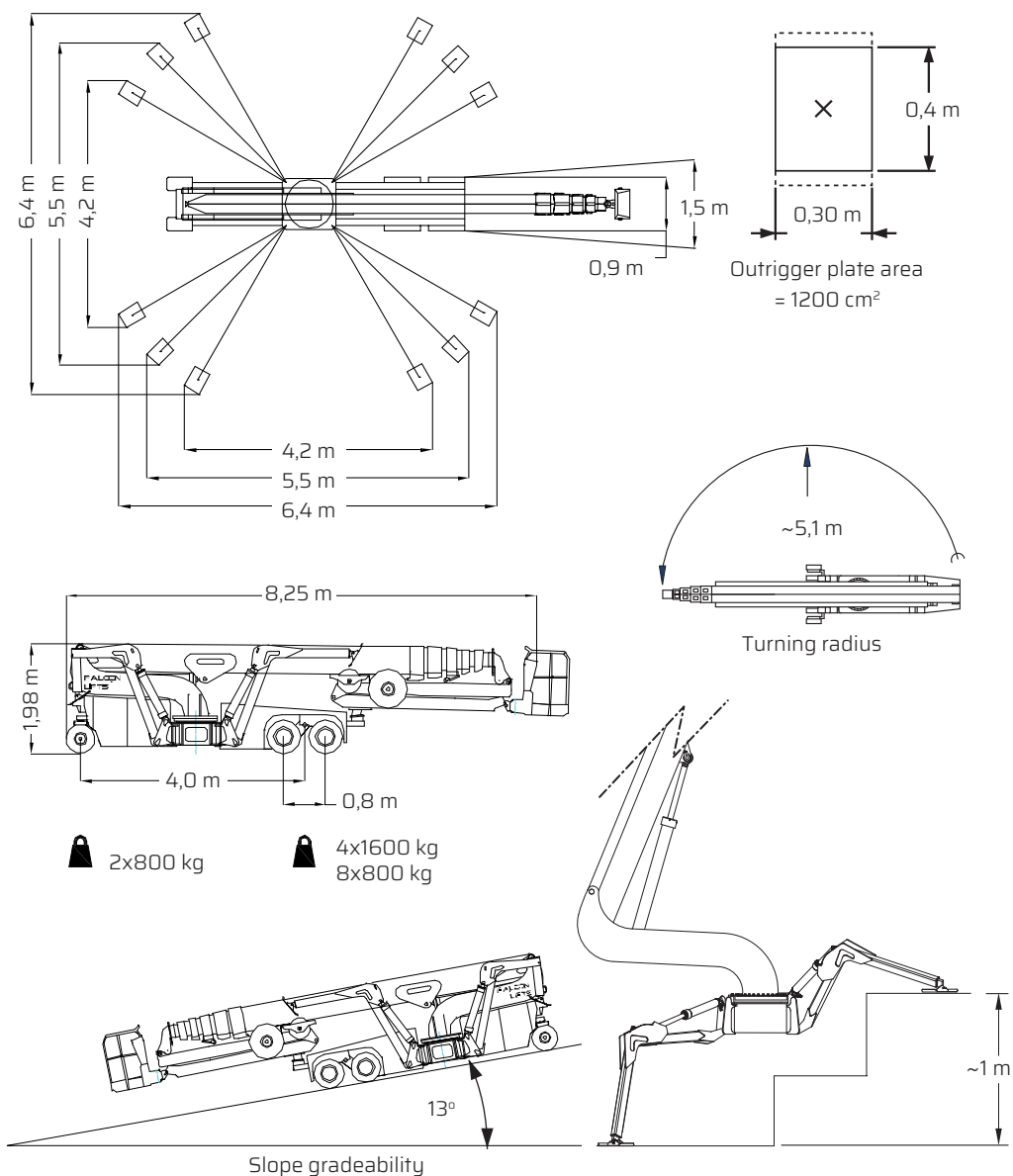
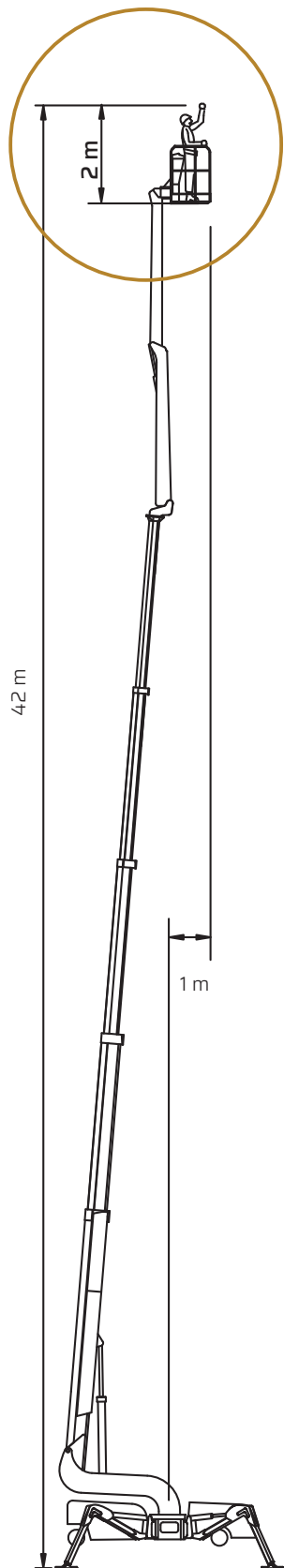


Basket load = 100 kg

All measurements are intended as guide. Choise of equipment may change the mentioned measurements

FALCON 420 *Wheel*

Outer measurements



Additional info:

Weight and ground pressure:

Weight with standard equipment	7500	kg
Max. ground pressure under 1 wheel (with 4 rear wheel)	6,8	kg/cm ²
Max. ground pressure under 1 wheel (with 8 rear wheel)	3,7	kg/cm ²
Max. ground pressure under 1 outrigger plate	3,0	kg/cm ²
Front wheel area (depending on wheel type)	2 x ~ 216	cm ²
Rear wheel area (depending on wheel type)	4 x ~ 234	cm ²